



# VIBE TULIPA

## INSTALLATION INSTRUCTIONS

---

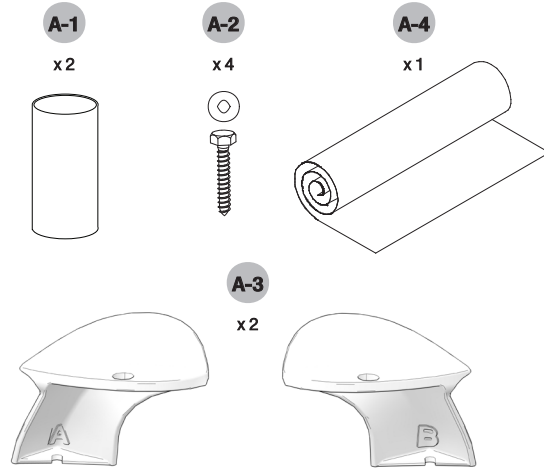
**IMPORTANT INFORMATION** FOR THE INSTALLER AND THE OWNER

 BainUltra®

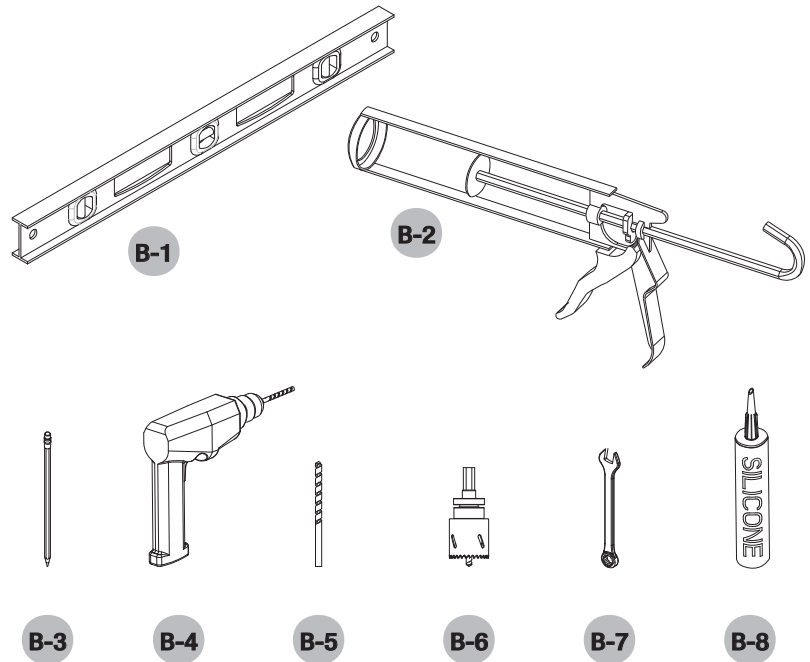
TO BE KEPT BY THE OWNER

# PARTS & TOOLS

A. PARTS INCLUDED	
A-1	Pipe concealer
A-2	Screws and washers
A-3	Feet A & B (Factory Installed)
A-4	Cutting Template



B. TOOLS REQUIRED	
B-1	24" level
B-2	Caulking gun
B-3	Pencil
B-4	Drill
B-5	3/16" drill bit
B-6	2 1/2" hole saw
B-7	7/16" wrench
B-8	Silicone



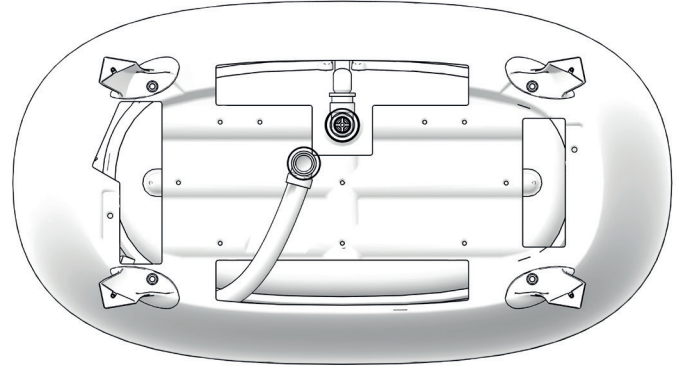
**IMPORTANT**

- Before starting installation, ensure that parts received match your order. For all questions, call BainUltra® at 1 800 463-2187.

# INSTALLATION

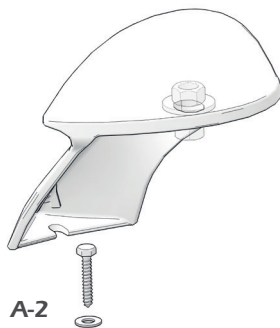
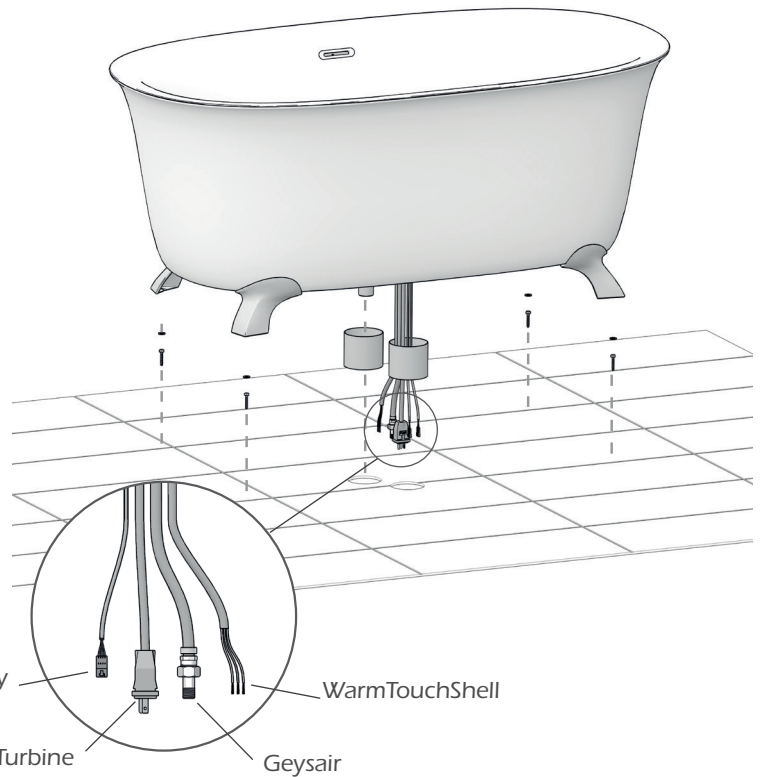
## 1. BATH SITE

<b>1-1</b>	Once the floor has been finished and is perfectly level, determine the exact location of the ThermoMasseur®. Mark the following on the floor: a) position of the four feet; b) holes to be drilled for the drain and air intake for the turbine.
<b>1-2</b>	Drill the four holes for the feet with a 3/16" drill bit and the drain and air intake openings with a 2 1/2" hole saw.



## 2. INSTALLATION

<b>2-1</b>	Install the drain and overflow set on the bath and the first section of the air intake pipe (1 1/2" ABS) under the floor. Cover the ABS pipe with pipe concealer (included).
<b>2-2</b>	Once the ThermoMasseur® is in place with piping installed in the floor, secure the four feet with screws and washers provided. <b>(A-2)</b>
<b>2-3</b>	Apply silicone at the base of the pipe concealer. <b>(A-1)</b>



### IMPORTANT

### WARNING

- Do not remove the protective plastic film from the bath and place a drop-cloth in the Thermomasseur® during installation to protect the acrylic.
- The Thermomasseur® must be secured to the floor.
- VIBE™ baths cannot be drilled for faucet installation. Faucets must be freestanding or wall-mounted models.